

Article#: 201-245 t/m -247

INDIMOUSE PRO

Suitable for use on various surfaces

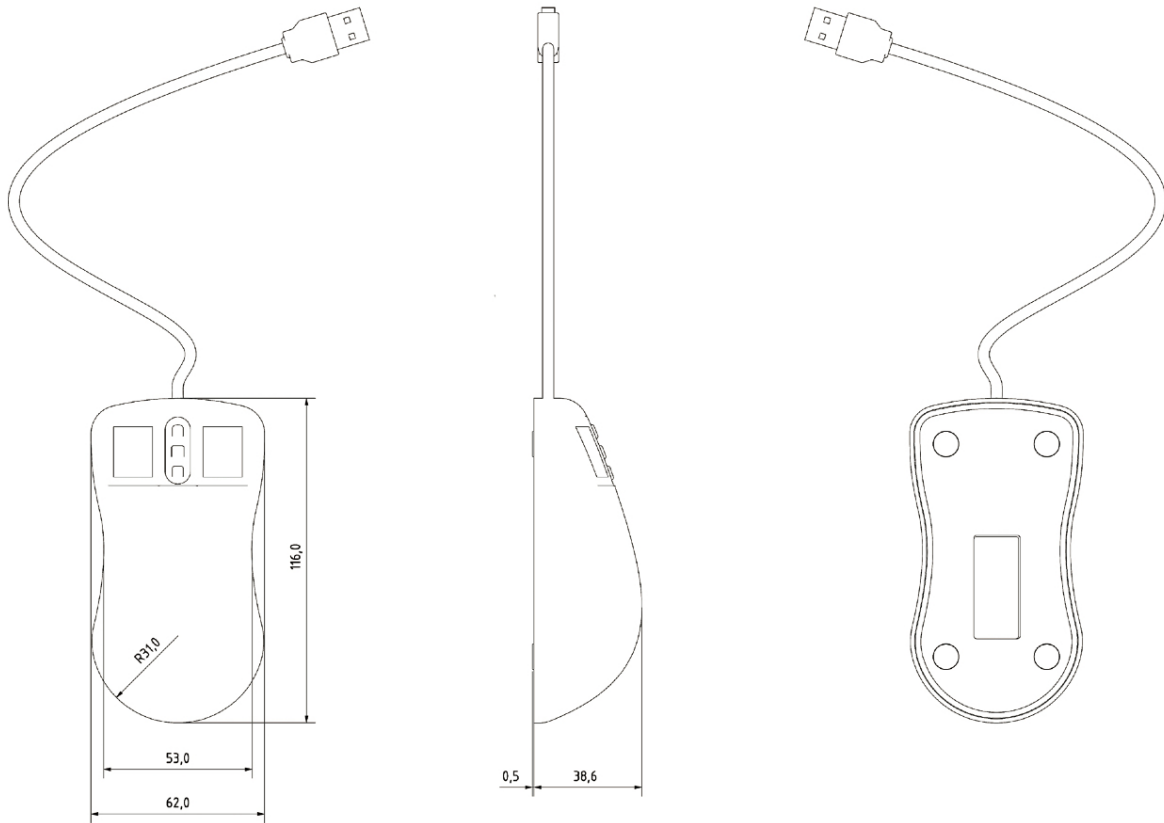
**PRODUCT FEATURES**

- Silicone mouse that works on glass and transparent surfaces
- Medical grade mouse with plastic bottomplate
- Ergonomic functionality with two mousebuttons and three-button scroll function
- Due to the symmetric shape it's suitable for right-hand and also left-hand operation
- Completely water and dust proof
- A silicone cap protects the USB connector during cleaning against splash water
- Resolution adjustable in 7 levels from 400 to 1600 cpi
- Easy to clean and to disinfect
- EMC compliant with EN 60601-1-2 Edition 4

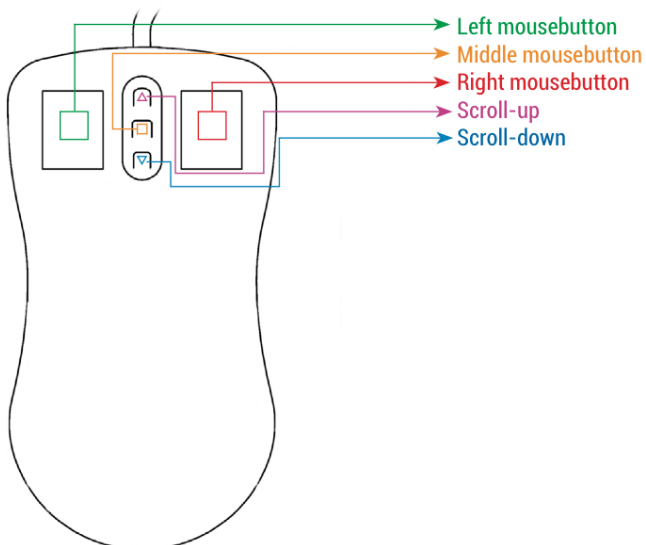
With Plastic Bottomplate**SPECIFICATION**

Number of keys:	5	Cable length:	approx. 2 m
Housing:	silicone	Operating temperature:	-25 °C to +70 °C
Bottom panel:	plastic	Storage temperature:	-40 °C to +85°C
Colour:	black, grey, white	Dimensions:	115 x 61 x 39 mm
Keyswitch technology:	short travel keys	Weight:	150 g
Operating principle:	infrared	Compliance:	
Resolution:	400 bis 1600 dpi (adjustable in steps of 200)	-- Europe:	CE
Scrollfunction:	3 scrollbuttons	-- USA/Canada:	FCC
Protection level:	IP68	-- Global:	REACH,
Interface:	USB	Guarantee:	RoHS self declaration
USB Compatibility:	compliant with USB 2.0		4 years on the electrical function

TECHNICAL DRAWING



Mouse functions when using standard Windows® drivers



Resolution adjustment:

Due to the infrared scanning used, the resolution can be set from 400 to 1600 cpi in steps of 200. Keep left and right mousebutton pressed at once and adjust the resolution with the scrollbuttons:

- Scroll-up: higher resolution
- Scroll-down: lower resolution